

MERIT PRESS[®]

TECHNOLOGY

StainlessPress[®]

IsoTubi-USA, By Merit Brass Co.



Directing the Flow of Quality

*Innovative Solutions Driven to Provide
Value to Your System*

**MERIT
BRASS**

DIRECTING THE FLOW OF *Quality*

From Planning to Projects to Training Through to Distribution... Innovative Solutions Driven to Provide Value



Owner



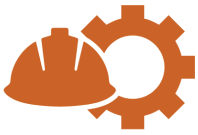
Engineering



General Contractor

**Streamlining
Project Planning
& Execution**

Innovation with Design in Mind to Save Time, Money & Labor



Mechanical
Contractor



Plumbing
Contractor



Project
Management



Project Takeoffs
& Design



**Training at Every
Stage of the
Process with Your
Success in Mind**



**Supporting
Distribution Growth
Strategies Through
Vertical Market
Relationship Building**

Benefits & Features



4 Path* **Leak Before Press (LBP) System**



Origin: **Barcelona, Spain**



VIPR® (Visual Indicator Press Ring®)



Buy American Act



50-Year Limited Warranty



316 Stainless Steel ASTM Spec



IPS (Iron Pipe Size)



Box, Bag & Ring Are Color-Coordinated
to the Sealing Element



316 Stainless Steel



Mates with **S5 & S10**, 304 & 316
Stainless Steel Pipe



StainlessPress® Product Offering

IsoTubi-USA, By Merit Brass Co.

Description	Diameter Range IPS (Iron Pipe Size)	
	EPDM (Potable Water)	HNBR (Gas)
316 StainlessPress® Coupling With Stop	1/2" - 2"	1/2" - 2"
316 StainlessPress® Coupling WithOut Stop	1/2" - 2"	1/2" - 2"
316 StainlessPress® 90° Elbow	1/2" - 2"	1/2" - 2"
316 StainlessPress® 90° Street Elbow	1/2" - 2"	1/2" - 2"
316 StainlessPress® 45° Elbow	1/2" - 2"	1/2" - 2"
316 StainlessPress® 45° Street Elbow	1/2" - 2"	1/2" - 2"
316 StainlessPress® Tee P x P x FPT	1/2" - 2"	1/2" - 2"
316 StainlessPress® Tee P x P x P	1/2" - 2"	1/2" - 2"
316 StainlessPress® Reducing Tee P x P x FPT	3/4" - 2"	3/4" - 2"
316 StainlessPress® Reducing Tee P x P x P	3/4" - 2"	3/4" - 2"
316 StainlessPress® Bushing Reducer	3/4" - 2"	3/4" - 2"
316 StainlessPress® Female Adapter	1/2" - 2"	1/2" - 2"
316 StainlessPress® Male Adapter	1/2" - 2"	1/2" - 2"
316 StainlessPress® Flange Adapter	1/2" - 2"	1/2" - 2"
316 StainlessPress® Cap	1/2" - 2"	1/2" - 2"
316 StainlessPress® Union	1/2" - 2"	1/2" - 2"
316 StainlessPress® Ball Valve	1/2" - 2"	1/2" - 2"
316 StainlessPress® Transition Adapter	3/4" - 2"	3/4" - 2"
316 StainlessPress® Van Stone Flange Adapter	1/2" - 2"	1/2" - 2"
316 StainlessPress® Weld Adapter	1/2" - 2"	1/2" - 2"

Chemical Compatibility Chart

	CHEMICAL	CHEMICAL FORMULAS	316 SS	SEALS			VALVE SEAT
				EPDM	HNBR	FKM	PTFE
ACIDS	Acetic Acid 5%	C ₂ H ₄ O ₂	A	A	B	A	A
	Acetic Acid 10%	C ₂ H ₄ O ₂	A	A	C	B	A
	Acetic Acid Glacial	C ₂ H ₄ O ₂	A	A	B	D	A
	Boric Acid 20%	H ₃ BO ₃	A	A	A	A	A
	Nitric Acid 20°C	HNO ₃	A	D	D	B	A
BASES	Ammonium Hydroxide Concentrated	NH ₄ OH	A	A	D	B	A
	Potassium Hydroxide 50% 20°C	KOH	A	A	B	D	A
GASES	Acetylene	C ₂ H ₂	A	A	A	A	A
	Air	-	A	A	A	A	A
	Argon	Ar	A	A	A	A	A
	Butane	C ₄ H ₁₀	A	D	A	A	A
	Carbon Dioxide	CO ₂	A	A	A	A	A
	Carbon Monoxide	CO	A	A	A	A	A
	Ethyl Chloride (no moisture)	C ₂ H ₅ Cl	A	B	A	A	A
	Helium	He	A	A	A	A	A
	Hydrogen	H ₂	A	A	A	A	A
	Hydrogen Sulfide	H ₂ S	A	A	A	D	A
	Methane	CH ₄	A	D	A	A	A
	Neon	Ne	A	A	A	A	A
	Nitrogen	N	A	A	A	A	A
	Propane	C ₃ H ₈	A	D	A	A	A
	Xenon	Xe	A	A	A	A	A
ALCOHOLS	Amyl Alcohol	C ₅ H ₁₁ OH	A	A	B	B	A
	Butyl Alcohol (Butanol)	C ₄ H ₁₀ O	A	B	A	A	A
	Ethyl Alcohol < 80%	C ₂ H ₆ O	A	A	A	B	A
	Ethyl Alcohol > 80%	C ₂ H ₆ O	A	A	A	B	A
	Glycerine (Glycerol)	C ₃ H ₅ (OH) ₃	A	A	A	A	A
	Isopropyl Alcohol	C ₃ H ₈ O	A	A	B	A	A
	Methanol	CH ₃ OH	A	A	A	D	A

A = Recommended B = Minor Effect C = Moderate Effect D = Unsatisfactory

Recommendations shown above are general in nature. Product service life for a given application is dependent on actual media mixture, pressure, temperature and operational (cycling) parameters. Contact sales@meritbrass.com if you have questions or wish to inquire about compatibility with chemicals not shown in the chart.

Tools, Kits, Jaws & Rings

Milwaukee Part #	Tooling Name
2773-20L	M18 Force Logic Long Throw Press Tool (Use M18 Jaws)
2773-22L	M18 Force Logic Long Throw Press Tool Kit (With 1/2" - 1" Jaws)
49-16-2650S	M18 1/2" IPS-IA Jaw
49-16-2651S	M18 3/4" IPS-IA Jaw
49-16-2652S	M18 1" IPS-IA Jaw
49-16-2653S	M18 1-1/4" IPS-IA Jaw
49-16-2654S	M18 1-1/2" IPS-IA Jaw
49-16-2655S	M18 2" IPS-IA Jaw
49-16-2659	Ring Jaw 1 (2-1/2" - 4")
49-16-2659S	Ring Jaw 2 (1-1/2" - 2")
49-16-2691S	M18 Force Logic Long Throw IPS-IA Press Ring Kit (1-1/4" - 2")

Certifications

StainlessPress® Fittings North American Certifications

ISO 9001:2015, By Merril Brass Co.

- **IAPMO PS 117** - Press Connections
- **NSF / ANSI / CAN 61** - Drinking Water System Components - Health Effects
- **NSF / ANSI / CAN 372** - Drinking Water System Components - Lead Content
- **FM 1920** - Pipe Couplings and Fittings for Above Ground Fire Protection Systems
- **American Bureau of Shipping** - Product Design Assessment (PDA) Certificate 1 5-PR1438892-PDA, Piping System and Couplings

StainlessPress® Valves with Press Connection Ends

ISO 9001:2015, By Merril Brass Co.

- **IAPMO Z1157** - Ball Valves
- **NSF / ANSI / CAN 61** - Drinking Water System Components - Health Effects
- **NFS / ANSI / CAN 372** - Drinking Water System Components - Lead Content

StainlessPress® Fittings Global Certifications

ISO 9001:2015, By Merril Brass Co.

- **CSTB** (France) Distribution and Water Drainage Pipes and Fittings
- **BSI** (UK) EN 10352:2010 Stainless Steel Plumbing Fittings - Fittings with Press Ends for Metallic Tubes for Gas
- **Lloyd's Register** (UK & global) - Stainless Steel Welded Pipe System with Couplings for use in Class III Systems where no Fire Endurance Test is Required and in Domestic and Sanitary Systems
- **WRAS** (UK) Section 1180 - Fittings for use with Tube and Pipe
- **CSIRO** (Australia) Fire Sprinkler Systems - Piping/Water Supply - Metallic Fittings and End Connectors/Plumbing and Drainage Products - Stainless Steel Pipes and Tubes for Pressure Applications
- **ÖVGW** (Austria) Stainless Steel Pipes (Material 1.4404) as well as System Connectors as Press Connector Made of 1.4404 for the Drinking Water Installation for Hot and Cold Water Installation
- **SGWA** (Switzerland) Pipes and Fittings (1.4404) Drinking Water Distribution Systems
- **DNV GL** (Norway) Steel Pipes and Fittings. Products approved by this certificate are accepted for installation on vessels classed by DNV GL.
- **ETA** (Denmark) Pipe System Consisting of Stainless Steel Pipes and Press Fittings for Domestic and Ground Water Installations (1.4404)

StainlessPress®

IsoTubi-USA, By Merit Brass Co.

Three Piece Ball Valve

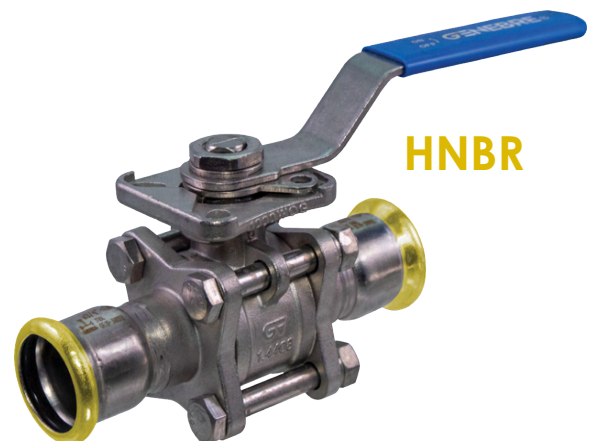
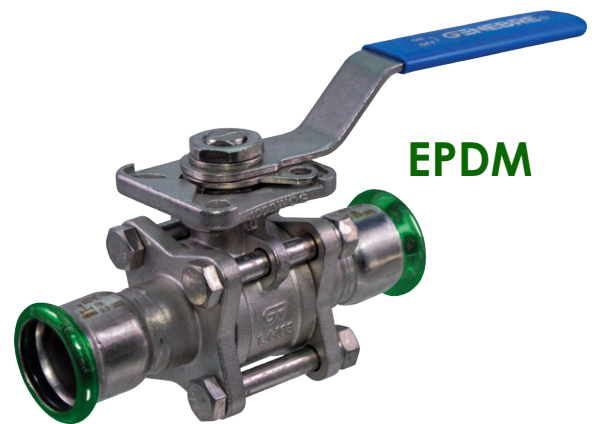
Sizes: 1/2" - 2"

Applicable Standards

- In compliance with the Buy American Act
- **IAPMO Z1157:** Ball Valves
- **NSF/ANSI/CAN 61:** Drinking Water System Components - Health Effects (EPDM only)
- **NSF/ANSI/CAN 372:** Drinking Water System Components - Lead Content (EPDM only)

Design Features

- **VIPR® (Visual Indicator Press Ring®)** - facilitates immediate identification of un-pressed connections
- **Leak Before Press** - in addition to the VIPR®, valve incorporates four path LBP technology, guaranteeing a visual indication if not pressed
- **50-Year Limited Warranty**
- **IPS (Iron Pipe Size)** used with schedule 5 or 10 stainless steel pipe
- **Full Port Quarter-Turn Valve**
- **Latch-Lock Handle** - facilitates locking in the open and closed positions
- **Maximum Working Pressure:** 300 psi
- **Temperature Range (EPDM):** -4°F to 230°F
- **Temperature Range (HNBR):** -13°F to 248°F

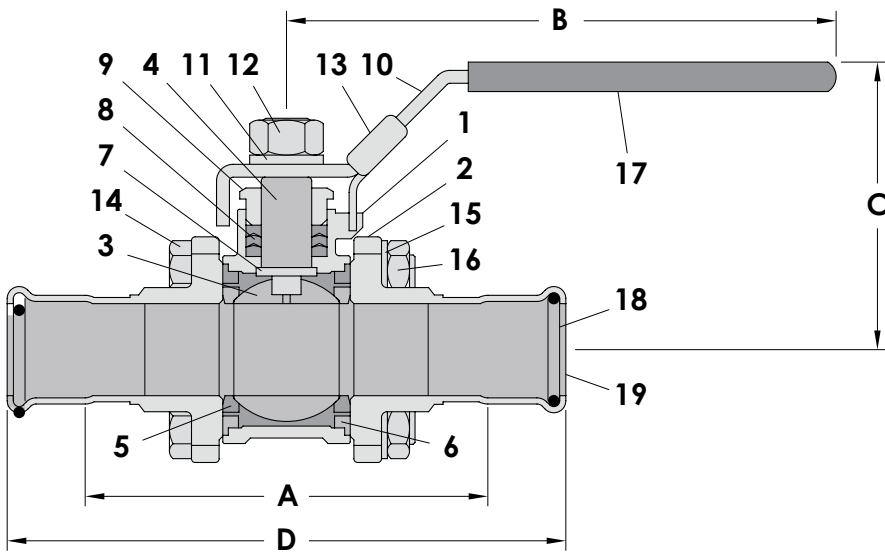


StainlessPress®

IsoTubi-USA, By Merit Brass Co.

Three Piece Ball Valve

Sizes: 1/2" - 2"



NO.	PART NAME	QTY	MATERIAL
1	Body	1	ASTM A351-CF8M
2	Cap	1	ASTM A351-CF8M
3	Ball	1	ASTM A351-CF8M
4	Stem	1	ASTM A276-316
5	Ball Seat	1	RPTFE
6	Body Seal	1	Graphite-Filled PTFE
7	Thrust Washer	1	Graphite-Filled PTFE
8	Stem Packing	1	PTFE
9	Gland Nut	1	AISI 304
10	Handle	1	AISI 304
11	Spring Washer	1	AISI 304
12	Nut	1	AISI 304
13	Latch Lock	1	AISI 304
14	Bolt	1	AISI 304
15	Spring Washer	1	AISI 304
16	Nut	1	AISI 304
17	Handle Sleeve	1	PVC
18	O-Ring	1	EPDM, Nitrile, Fluoroelastomer
19	StainlessPress Ends	1	316L

Part Number		Dimensions					Weight lbs
		Inches		Inches			
EPDM	HNBR	Nominal	A	B	C	D	
MBF311/26GE	MBF311/26GEH	1/2	2.82	4.26	2.44	4.49	1.24
MBF313/46GE	MBF313/46GEH	3/4	3.50	5.31	2.68	5.39	1.73
MBF3116GE	MBF3116GEH	1	3.86	5.30	2.75	5.90	2.46
MBF3111/46GE	MBF3111/46GEH	1-1/4	4.17	6.30	3.35	6.53	5.90
MBF3111/26GE	MBF3111/26GEH	1-1/2	4.72	7.87	3.54	7.13	5.93
MBF3126GE	MBF3126GEH	2	5.35	8.27	3.94	8.89	8.48

Contact Us

Cleveland Headquarters

One Merit Drive/PO Box 43127
Cleveland, OH 44143

Dallas Distribution Center

10614 King William Drive
Dallas, TX 75220

Birmingham Distribution Center

220 Oxmoor Court
Birmingham, AL 35209

Sparks Distribution Center

200 Vista Boulevard Suite #106
Sparks, NV 89434

 800.726.9800  contactus@meritbrass.com

 www.meritbrass.com
www.mbwebxpress.com



MERIT BRASS

DIRECTING THE FLOW OF *Quality*

LEARN MORE



Find us in
MasterSpec®
Powered by Deltek Specpoint®