

MERIT PRESS[®]

TECHNOLOGY

CopperPress[®]

By Merit Brass Co.



Directing the Flow of Quality

*Innovative Solutions Driven to Provide
Value to Your System*

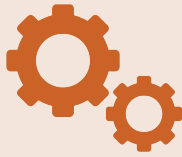
**MERIT
BRASS**

DIRECTING THE FLOW OF *Quality*

From Planning to Projects to Training Through to Distribution... Innovative Solutions Driven to Provide Value



Owner



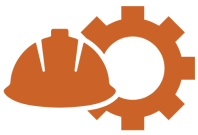
Engineering



General Contractor

**Streamlining
Project Planning
& Execution**

Innovation with Design in Mind to Save Time, Money & Labor



Mechanical
Contractor



Plumbing
Contractor



Project
Management



Project Takeoffs
& Design



**Training at Every
Stage of the
Process with Your
Success in Mind**



**Supporting
Distribution Growth
Strategies Through
Vertical Market
Relationship Building**

Benefits & Features



4 Path* Leak Before Press (LBP) System

*1/2" has 3 Path LBP System, 3/4" and up have 4 Path LBP System



300 PSI Working Pressure



VIPR® (Visual Indicator Press Ring®)



Stamped **NSF61** on EPDM



50-Year Limited Warranty



CTS (Copper Tube Size)



Box, Bag & Ring Are Color-Coordinated
to the Sealing Element



2-1/2" & Above Have a **Fully Captured
Spacer Ring**



CopperPress® Product Offering

By Merit Brass Co.

EPDM (Potable Water)		
Description	Diameter Range CTS (Copper Tube Size)	
	Small Diameter	XL Diameter
CopperPress® Coupling With Stop	1/2" - 2"	2-1/2" - 4"
CopperPress® Coupling Without Stop	1/2" - 2"	2-1/2" - 4"
CopperPress® Extended Coupling Without Stop	1/2" - 2"	-
CopperPress® Coupling Reducer	3/4" - 2"	2-1/2" - 4"
CopperPress® Bushing Reducer	3/4" - 2"	2-1/2" - 4"
CopperPress® 90° Elbow	1/2" - 2"	2-1/2" - 4"
CopperPress® 90° Reducing Elbow	3/4" - 1"	-
CopperPress® 90° Street Elbow	1/2" - 2"	2-1/2" - 4"
CopperPress® 90° Drop Ear Elbow	3/8" - 3/4"	-
CopperPress® 45° Elbow	1/2" - 2"	2-1/2" - 4"
CopperPress® 45° Street Elbow	1/2" - 2"	2-1/2" - 4"
CopperPress® Equal Tee	1/2" - 2"	2-1/2" - 4"
CopperPress® Unequal Tee	3/4" - 2"	2-1/2" - 4"
CopperPress® Reducing Tee	1/2" - 2"	2-1/2" - 4"
CopperPress® Cap	1/2" - 2"	2-1/2" - 4"
CopperPress® Cross Over	1/2" - 3/4"	-
CopperPress® Street Cross Over	1/2" - 3/4"	-
CopperPress® Male Adapter	1/2" - 2"	2-1/2" - 4"
CopperPress® Male Street Adapter	1/2" - 2"	-
CopperPress® Female Adapter	1/2" - 2"	2-1/2" - 4"
CopperPress® Female Street Adapter	1/2" - 2"	-
CopperPress® Union	1/2" - 2"	-
CopperPress® Male Union	1/2" - 2"	-
CopperPress® Female Union	1/2" - 2"	-
CopperPress® Dielectric Female Union	1/2" - 2"	-
CopperPress® Female Tee P x P x FPT	1/2" - 3/4"	-
CopperPress® Female Reducing Tee P x P x FPT	3/4" - 2"	2-1/2" - 4"
CopperPress® 90° Male Elbow P x MPT	1/2" - 2"	-
CopperPress® 90° Female Elbow P x FPT	1/2" - 2"	-
CopperPress® Pex Adapter	1/2" - 1"	-
CopperPress® Flange Adapter	1" - 2"	2-1/2" - 4"
CopperPress® Ball Valve	1/2" - 2"	-

Approved Applications

TYPES OF SERVICE		SYSTEM OPERATING CONDITIONS	PRESSURE	TEMPERATURE	EPDM O-RING
FLUIDS & WATER	Hot & Cold Potable Water		300PSI	32F - 250F	YES
	Rainwater/Gray Water		300PSI	32F - 250F	YES
	Fire Sprinkler		175PSI	32F - 250F	YES
	Chilled Water	Ethylene Glycol/Propylene Glycol	300PSI	32F - 250F	YES
	Hydronic Heating	Ethylene Glycol/Propylene Glycol	300PSI	32F - 250F	YES
	Cooling Water	Up to 50% Ethylene Glycol or Propylene Glycol Solution	300PSI	32F - 250F	YES
	Low-Pressure Steam		Up to 15PSI	248F	YES
FUEL, OIL & LUBRICANT	Ethanol	Pure Grain Alcohol	300PSI	32F - 250F	YES
GASES	Compressed Air	Less Than 25mg/m3 Oil Content	300PSI	32F - 250F	YES
	Oxygen - O2 (Non-Med)	Keep Oil and Fat Free/Non-Liquid O2	140PSI	Up to 140F	YES
	Nitrogen - N2		300PSI	32F - 250F	YES
	Carbon Dioxide - CO2	Dry	300PSI	32F - 250F	YES
	Argon	Welding Use	300PSI	Ambient	YES
	Hydrogen - H2		125PSI	0F - 250F	YES
	Vacuum		29.2 in Hg	Call	YES

Tools, Kits, Jaws & Rings

Milwaukee Part #	Tooling Name
2773-20	M18 Force Logic Press Tool (Use M18 Jaws)
2773-22	M18 Force Logic Press Tool Kits (With 1/2" - 2" Jaws)
49-16-2650	M18 1/2" Jaw
49-16-2651	M18 3/4" Jaw
49-16-2652	M18 1" Jaw
49-16-2653	M18 1-1/4" Jaw
49-16-2654	M18 1-1/2" Jaw
49-16-2655	M18 2" Jaw
49-16-2656	M18 2-1/2" Ring
49-16-2657	M18 3" Ring
49-16-2658	M18 4" Ring
49-16-2659	Ring Jaw 1 (2-1/2" - 4")
49-16-2690	M18 Force Logic Press Ring Kit (2-1/2" - 4")

Compliances

CopperPress® Fittings Standard Compliance

- ICC-ES LC1002-2010 (editorially revised Feb 2013), Press-Connection Fittings for Potable Water Tube and Radiant Heating Systems
- NSF/ANSI/CAN 61-2020, Drinking Water System Components - Health Effects
- NSF/ANSI/CAN 372-2020, Drinking Water System Components - Lead Content
- ASME B16.51-2018 Copper and Copper Alloy Press-Connect Pressure Fittings
- IAPMO PS117-2017 Press Connections

CopperPress® Fittings Code Compliance

- 2021, 2018, 2015, 2012, 2009 and 2006 International Plumbing Code® (IPC)
- 2021, 2018, 2015, 2012, 2009 and 2006 International Mechanical Code® (IMC)
- 2021, 2018, 2015, 2012, 2009 and 2006 International Residential Code® (IRC)
- 2021, 2018, 2015, 2012, 2009 and 2006 Uniform Plumbing Code® (UPC)*
- 2021, 2018, 2015, 2012, 2009 and 2006 Uniform Mechanical Code® (UMC)*
- 2019, 2016, 2013 and 2010 California Plumbing Code (CPC)
- 2019, 2016, 2013 and 2010 California Mechanical Code (CMC)
- 2020 and 2017 City of Los Angeles Plumbing Code
- 2020 and 2017 City of Los Angeles Mechanical Code
- 2017 and 2007 Code of Massachusetts Regulation 248 CMR 10.00: Uniform State Plumbing Code
- 2017 Massachusetts State Building Code 780 CMR Ninth Edition: Chapter 28
- ASME B31 Code for Pressure Pipe; standards B31.1.1-2014, B31.3-2012 and B31.9-2014

* Copyrighted publication of the International Association of Plumbing and Mechanical Officials

CopperPress®

By Merit Brass Co.

Small Diameter Copper End Press Ball Valve

Sizes: 1/2" - 2"

Applicable Standards

- **IAPMO Z1157:** Ball Valves
- **NSF/ANSI/CAN 61:** Drinking Water System Components - Health Effects
- **NSF/ANSI/CAN 372:** Drinking Water System Components - Lead Content



Design Features

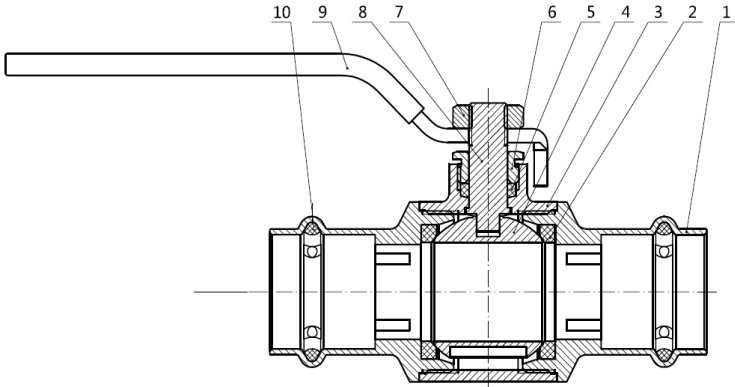
- **VIPR® (Visual Indicator Press Ring®)** - facilitates immediate identification of un-pressed connections
- **Leak Before Press (LBP)** - in addition to the VIPR®, all sizes have leak before press technology, which guarantees a visual indication if the fitting is not pressed; 1/2" has 3-path LBP system, and 3/4" have a 4-path LBP system
- Designed to be used with ASTM B88 Type K, L and M 1/2" - 2" copper tubing in the hard-drawn condition and soft copper tubing in sizes 1/2" - 1-1/4"
- Suitable for installation in most plumbing and heating systems including hydronic heating, low pressure steam (15 psi max), and potable water
- **50-Year Limited Warranty**
- **Copper Ends** - protect against dezincification and stress corrosion cracking
- **Lead-Free Construction** - Cast C89836 Bronze Body with Copper Retainers
- **Maximum Working Pressure:** 300 psi
- **Temperature Range:** 0°F to 250°F

CopperPress®

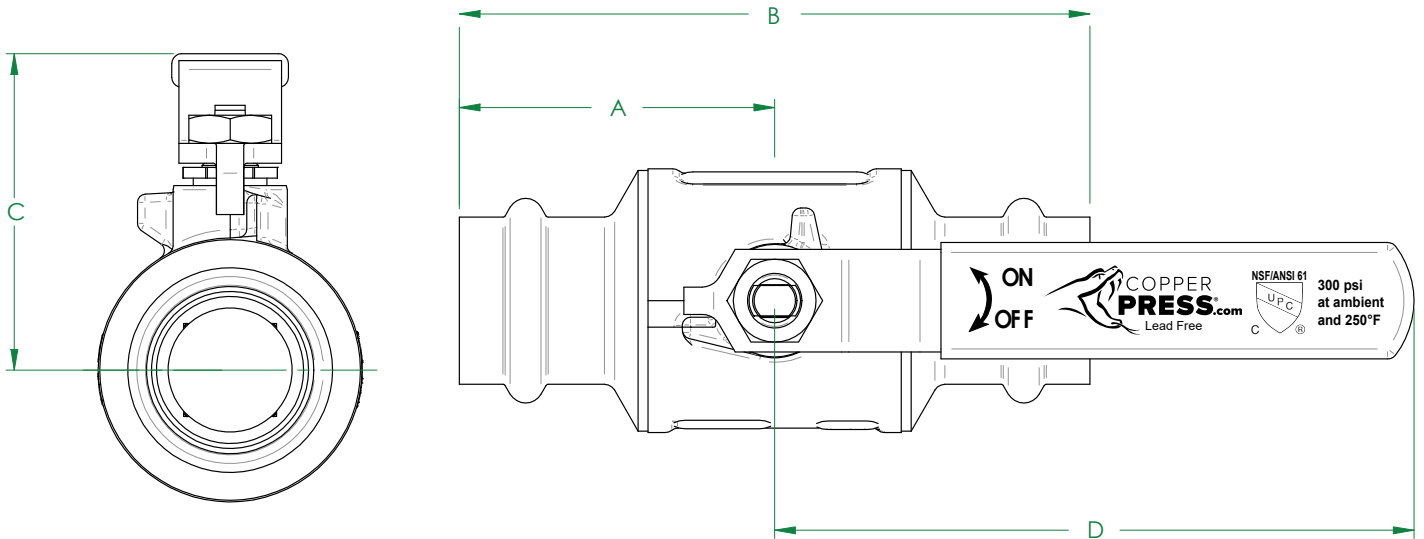
By Merit Brass Co.

Small Diameter Copper End Press Ball Valve

Sizes: 1/2" - 2"



ITEM	DESCRIPTION	MATERIAL	QTY	SPECIFICATION
1	Retainer	Copper	2	C12200
2	Seat	PTFE	2	
3	Body	Bronze	1	C89836
4	Ball (Sizes 1/2" - 1")	Chrome Plated Brass	1	C46500
4	Ball (Sizes 1-1/4" - 2")	Stainless Steel	1	304
5	Stem Packing	PTFE	1	
6	Packing Gland	Brass	1	HPb59-3P
7	Stem Nut	Zinc Plated Steel	1	Q235
8	Stem	Brass	1	C46500
9	Handle	Zinc Plated Steel	1	Q235
10	O-Ring	EPDM	2	



Part Number	Size (in)	A	B	C	D	Weight (lbs)
MB70000	1/2	1.56	3.11	1.70	3.94	0.54
MB70010	3/4	1.89	3.78	1.84	3.94	0.79
MB70020	1	2.24	4.49	2.37	4.92	1.39
MB70030	1-1/4	2.56	5.12	3.02	5.84	2.74
MB70040	1-1/2	2.83	5.67	3.16	6.30	4.30
MB70050	2	3.44	6.89	4.21	7.87	7.30

Contact Us

Cleveland Headquarters

One Merit Drive/PO Box 43127
Cleveland, OH 44143

Dallas Distribution Center

10614 King William Drive
Dallas, TX 75220

Birmingham Distribution Center

220 Oxmoor Court
Birmingham, AL 35209

Sparks Distribution Center

200 Vista Boulevard Suite #106
Sparks, NV 89434



800.726.9800



contactus@meritbrass.com



www.meritbrass.com
www.mbwebxpress.com



MERIT BRASS

DIRECTING THE FLOW OF *Quality*

Find us in

MasterSpec®

Powered by Deltek Specpoint®

LEARN MORE



©2022 Merit Brass Company. All Rights Reserved.